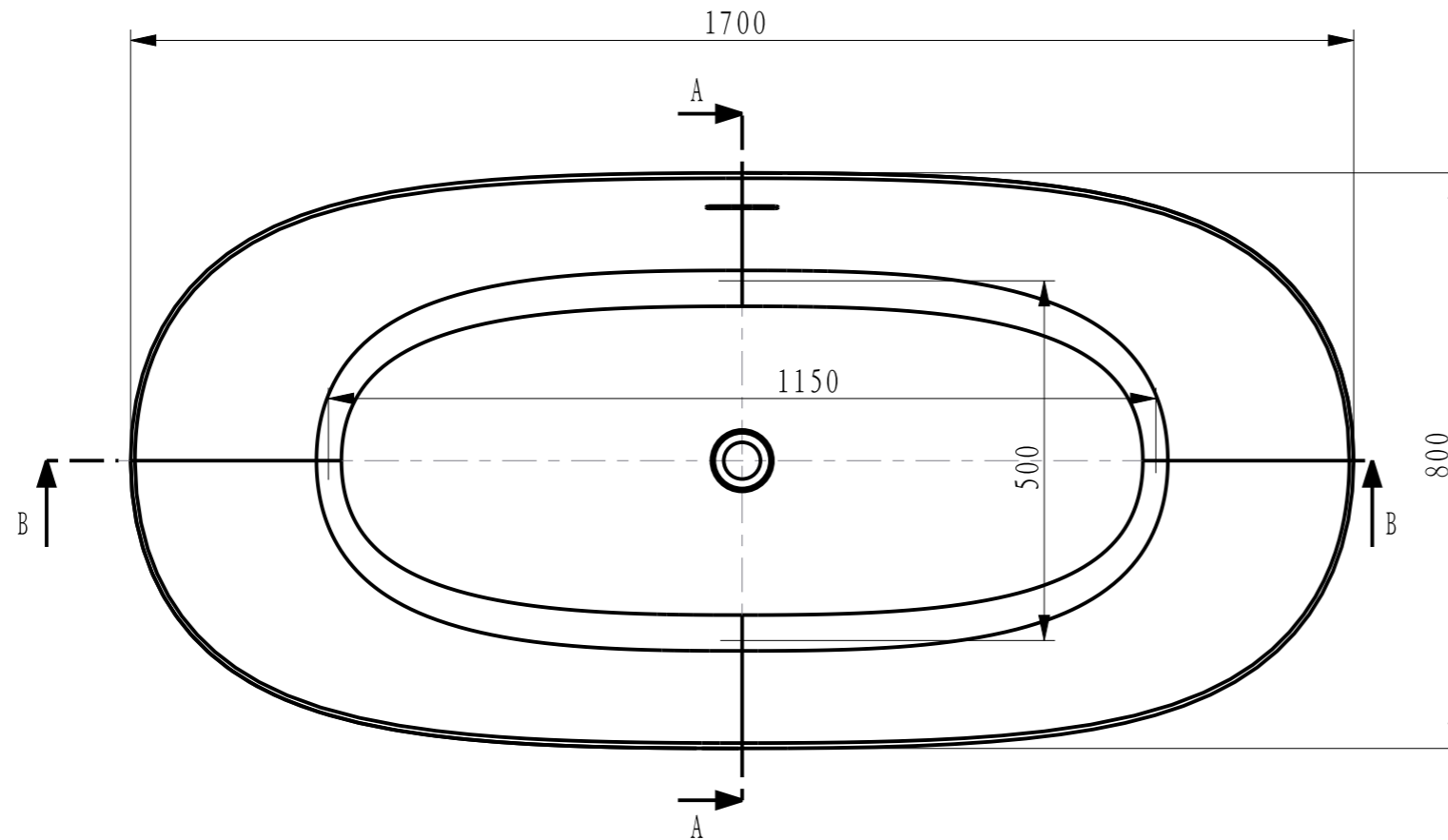
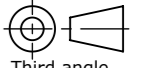


B-B



Treatment: reinforced											
Material: Acryl gloss											
Rev.	Change no.	Dev.	Date	Rev.	Change no.	Dev.	Date	Rev.	Change no.	Dev.	Date
A				C				E			
B				D				F			
Scale: 1:15 Format: A4 Unit: mm Sheet: 1 of 1 Tolerance: NEN-ISO 2768-1 class C											
Name: cenotes ease 170 x 80 cm										 Third angle	
				Drawn: NN		Date: 30-08-2018		Project no.: 10.584			
Introduced by tech. change:											